



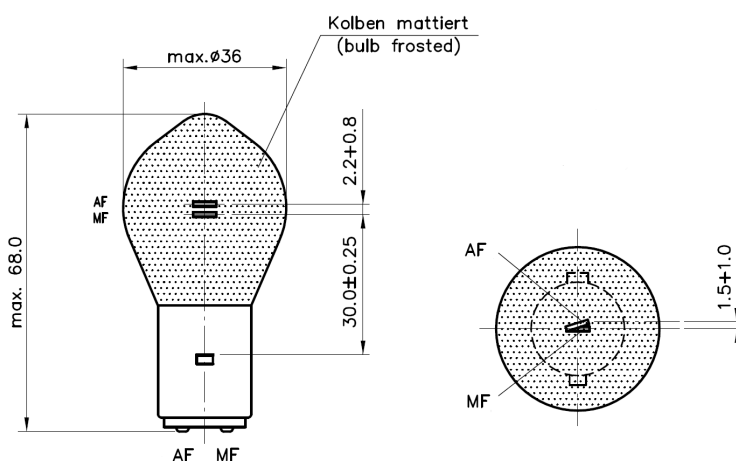
## Railway Signaling

	<b>Type RS6930</b> <b>12V 20/20W BA20d</b>
	<b>Ordering – No.</b> <b>46930</b>
<b>Product Description</b>	Signaling Lamp
<b>Features</b>	Double Filament, Bulb frosted
<b>Applications</b>	Railway Signal

## Technical Details

Type	RS6930
Rated Voltage (V)	12
Wattage (W) (at 12V) (MF/AF)	max. 22,0 / 22,0
Luminous Flux (lm) (at 12V) (MF/AF)	227 / 227 - 12%
Lumen Maintenance (at 12V)	75% at 450 h
Average Lifetime (h) (at 12V) (MF/AF)	600 / 50
Base	BA20d
Maximum Overall Length (mm)	max. 68,0
Bulb Diameter (mm)	max. 36,0
Light Center (mm) MF	30,0 ± 0,25
Filament Distance MF-AF (mm)	2,2 ± 0,8
Packaging Configuration	200 pcs.
Environmental Remark	Product don't contain lead or mercury and is conform with Directive 2011/65/EC "Restriction of the use of certain hazardous substances in electrical and electronic equipment".

## Drawing (in mm)



valid from	04.03.2014—V2—PN14/0072
replace for	28.01.2013—V1
file	46930.100.pdf