



Miner



HPR70
3,6V 1,0A PX13,5s

Ordering - No.
68405

Product Description

Halogen Miniature Lamp with Prefocus Base

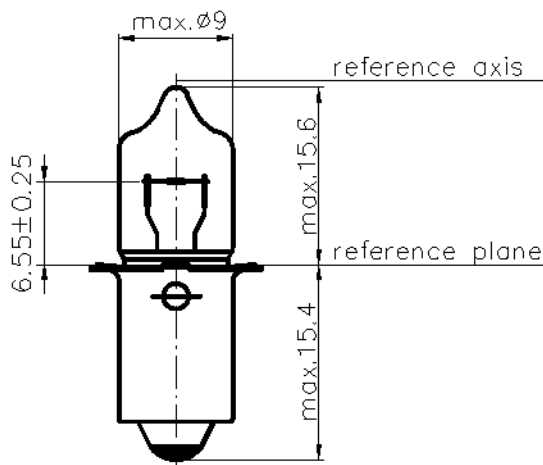
Features

Hardglass Bulb, small Dimension, high Shock Resistance

Applications

Miner Head Lamps

Drawing (in mm)



Technical Details

ANSI	HPR70
Rated Voltage (V)	3,6
Current (A)	max. 1,06
Luminous Flux (lm)	46 ± 10%
Lifetime Tav (h)	300
Base	PX13,5s
Bulb Diameter (mm)	max. 9,0
Light Center Length (mm)	6,55 ± 0,25
Bulk Package	1000 pcs.
Tenway Package	200 pcs.

valid from	06.03.2014—V3—PN14/0072
replace for	25.10.2013—V2
file	68405.100.pdf