




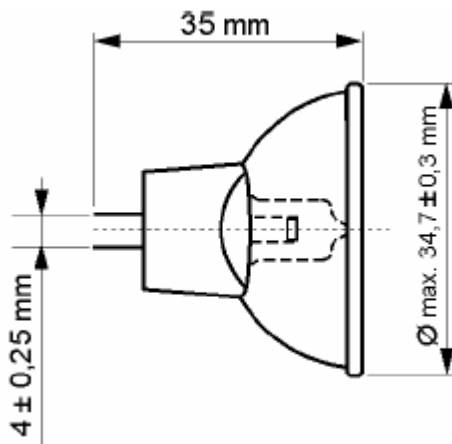
## Airfield Halogen Dichroic Reflector

	<b>Type 6137</b> <b>6,6A 35W GZ4</b>
	<b>Ordering – No.</b> <b>58314</b>
<b>Product description</b>	Halogen Airfield Lamp with integrated reflector
<b>Features</b>	high and constant lumen output, long lifetime, excellent optical adjustment, strong focus light
<b>Applications</b>	Approach and threshold lights Runway and taxiway lights Airport Signs Stop bar and touchdown zone lights

### Technical Details

Rated current (A)	6,6
Wattage (W)	35 +/- 10%
Axial Light Intensity (kcd)	min. 4,5
Reflector type	MR11
Average lifetime (hours)	1500
Base	GZ4
Maximum Overall Length (mm)	max. 35
Reflector Diameter (mm)	34,7 +/-0,3
Maximum allowed pinch temperature (°C)	350
Filament Type	C-6
Burning Position	S90
Chromaticity	within white boundaries
Packaging quantity	100pcs.
Environmental remark	Product don't contain lead or mercury and is conform with Directive 2011/65/EC "Restriction of the use of certain hazardous substances in electrical and electronic equipment".

### Drawing (in mm)



valid from	05.03.2014—V2—PN14/0072
replace for	29.01.2013—V1
file	58314.100.pdf