




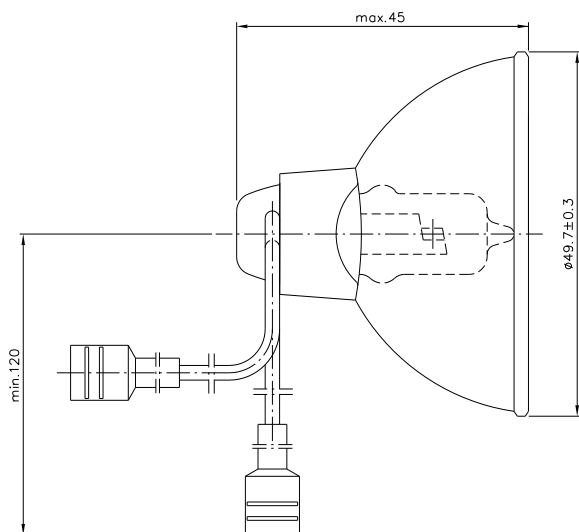
Airfield Halogen Dichroic Reflector

	Type 6101 LL 6,6A 48W cable flat female
	Ordering – No. 58304
Product description	Halogen Airfield Lamp with integrated reflector
Features	high and constant lumen output, long lifetime, excellent optical adjustment, strong focus light
Applications	Approach and threshold lights Runway and taxiway lights Airport Signs Stop bar and touchdown zone lights

Technical Details

Rated current (A)	6,6
Wattage (W)	48 +/- 10%
Axial Light Intensity (kcd)	min. 20
Reflector type	MR16
Average lifetime (hours)	2500
Base	flexible cable
Cable connector	flat female according DIN 46247
Cable length (mm)	min. 120
Maximum Overall Length (mm)	max. 45
Reflector Diameter (mm)	49,7 +/-0,3
Maximum allowed cable temperature (°C)	250
Maximum allowed pinch temperature (°C)	350
Filament Type	C-8
Burning Position	S90
Chromaticity	within white boundaries
Packaging quantity	100pcs.
Environmental remark	Product don't contain lead or mercury and is conform with Directive 2011/65/EC "Restriction of the use of certain hazardous substances in electrical and electronic equipment".

Drawing (in mm)



valid from	05.03.2014—V2—PN14/0072
replace for	29.01.2013—V1
file	58304.100.pdf