



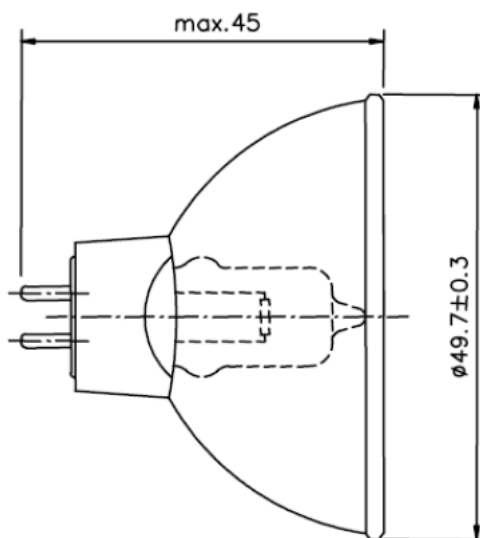
Airfield Halogen Dichroic Reflector

	Type 6142 6,6A 62W GX5,3
	Ordering – No. 58336
Product description	Halogen Airfield Lamp with integrated reflector
Features	high and constant lumen output, long lifetime, excellent optical adjustment, strong focus light
Applications	Approach and threshold lights Runway and taxiway lights Airport Signs Stop bar and touchdown zone lights

Technical Details

Rated current (A)	6,6
Wattage (W)	62 +/- 10%
Reflector type	MR16
Average lifetime (hours)	1500
Base	GX5,3
Maximum Overall Length (mm)	max. 45
Reflector Diameter (mm)	49,7 +/-0,3
Maximum allowed pinch temperature (°C)	350
Filament Type	C-6
Burning Position	S90
Chromaticity	within white boundaries
Packaging quantity	100pcs.
Environmental remark	Product don't contain lead or mercury and is conform with Directive 2011/65/EC "Restriction of the use of certain hazardous substances in electrical and electronic equipment".

Drawing (in mm)



valid from	03.04.2014—V3—PN14/0072
replace for	05.03.2014—V2
file	58336.100.pdf