



## Airfield Halogen Bipin



**Type 6373**  
**6,6A 200W G6,35**

**Ordering – No.**  
**58373**

### Product description

Halogen Airfield Lamp with Bi-pin base

### Features

high and constant lumen output, long lifetime, small size

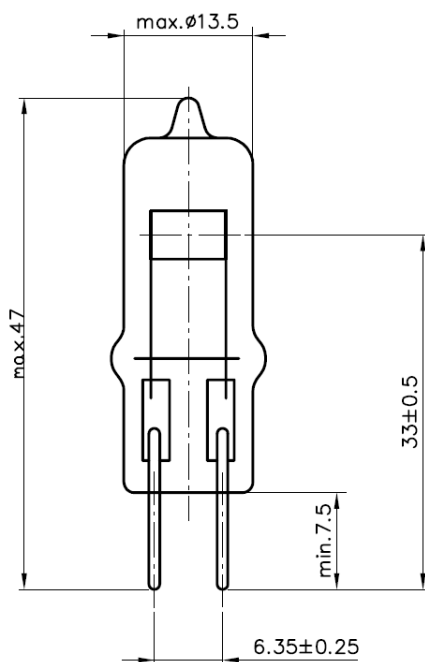
### Applications

Approach lights  
Threshold lights  
Runway lights  
Taxiway lights  
Obstruction lights

### Technical Details

Rated current (A)	6,6
Wattage (W)	200 +/- 12%
Luminous flux (lm)	4700 +/- 10%
Lumen maintenance	min. 90% after 900 h
Average lifetime (hours)	1200
Base	G6,35-15
Maximum Overall Length (mm)	max. 47
Bulb Diameter (mm)	max. 13,5
Light Center Length (mm)	33,0 +/- 0,5
Maximum allowed pinch temperature (°C)	350
Filament Type	CBAR-6
Burning Position	S
Chromaticity	Within white boundaries
Packaging quantity	100 pcs.
Environmental remark	Product don't contain lead or mercury and is conform with Directive 2011/65/EC "Restriction of the use of certain hazardous substances in electrical and electronic equipment".

### Drawing (in mm)



valid from	05.03.2014—V1—PN14/0072
replace for	30.01.2013—V1
file	58373.100.pdf